



1. Visulex 40 Bulletin Board



2. Two-Column Directory Featuring Color Band Message Strips

The award winning Visulex design is the basis for this low profile aluminum cabinet, which houses either a textured fabric bulletin board (Visulex 40) or changeable strips, which are available in paper or injection molded plastic (Visulex 40 Express). A lift-out, shatterproof acrylic cover and soft radius shape give the Visulex 40 a refreshing clean look, unlike the traditional "framed door" look of other enclosed bulletin boards and directories.

Other Features & Benefits

- Variety of standard sizes & finishes (Custom colors available through special orders.)
- Quick delivery time available on standard sizes and finishes
- Four (4) fabric colors available for bulletin board (Customer may also provide own material.)
- Injection molded Message Strips for directory available in five (5) colors
- User-lettered paper insert option available* for directory
- Environmentally friendly: recyclable aluminum components & message strips (paper and plastic)
- Header and base graphics available

* SignWord Pro compatible (download at www.apcosigns.com)

Housing Colors



02 Black



43 Putty



44 Architectural Brown



78 Pearl Grey



Natural Satin Anodized

Fabric Colors



214 Peppermill



179 Mintless



218 Gunmetal



194 Sulphur Grey



3. Removable Column of Color Band Message Strips

Applications:

Bulletin Board:

- Employee information stations
- Employee recognition boards
- Announcements

Directory:

- Lobby Directories
- Floor & Wing Directories

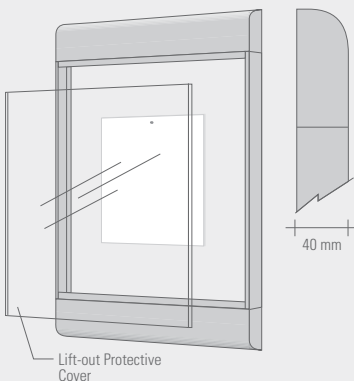
Ideal for:

Schools/Universities, Hospitals/Medical Facilities, Corporate Office Buildings



4. Clear Band Message Strips House Laser Printed Inserts

Exploded View



Visulex 40 Module Sizes Height x width in inches

Product Code	Overall Size	Display Area
V40-2424-FB	30-3/8" x 24-3/8"	24" x 24"
V40-2436-FB	30-3/8" x 36-3/8"	24" x 36"
V40-2448-FB	30-3/8" x 48-3/8"	24" x 48"
V40-2460-FB	30-3/8" x 60-3/8"	24" x 60"
V40-2472-FB	30-3/8" x 72-3/8"	24" x 72"
V40-3624-FB	42-3/8" x 24-3/8"	36" x 24"
V40-3636-FB	42-3/8" x 36-3/8"	36" x 36"
V40-3648-FB	42-3/8" x 48-3/8"	36" x 48"
V40-3660-FB	42-3/8" x 60-3/8"	36" x 60"
V40-3672-FB	42-3/8" x 72-3/8"	36" x 72"

QuickShip sizes indicated in bold type.

Visulex 40 Directory Configurations

Height x width in inches

Product Code	Overall Size	Columns	# of 30mm Message Strips
V301830	30-7/8" x 18-5/8"	2	38
V302730	30-7/8" x 27-9/16"	3	57
V303630	30-7/8" x 35-9/16"	4	76
V305430	30-7/8" x 54-3/8"	6	114
V411830	41-1/2" x 18-5/8"	2	56
V412730	41-1/2" x 27-9/16"	3	84
V413630	41-1/2" x 35-9/16"	4	112
V415430	41-1/2" x 54-3/8"	6	168

Custom Insert Configurations and Sizes Available Upon Special Order