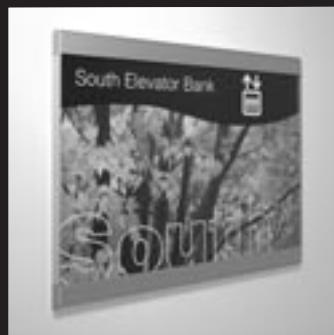
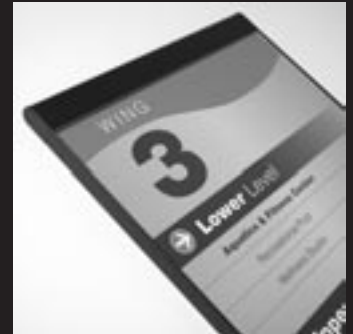
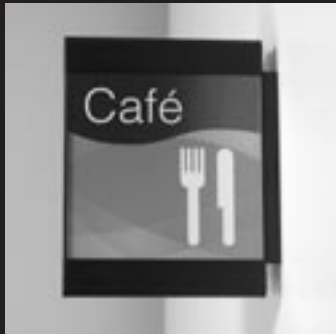


# UniVUE™

A Unique Graphic Display System

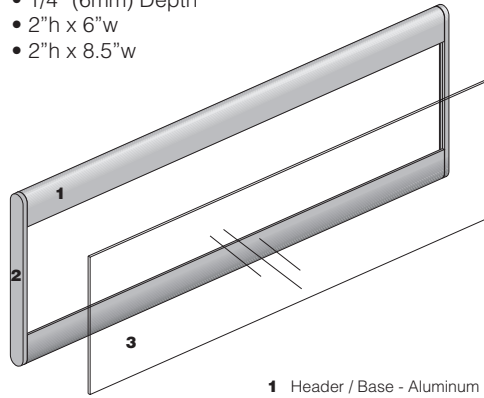


The newest of APCO's extensive range of modular sign systems, UniVue is a low profile graphic display system like no other. Featuring a unique look, UniVue is modular, updatable and vandal resistant, with graphics protected by a non-glare lens. Ideal for digital printing output, paper displays, ADA plaques, vinyl graphics, and more, UniVue is the perfect choice.

## Single Profile

### Standard Sizes

- 1/4" (6mm) Depth
- 2"h x 6"w
- 2"h x 8.5"w

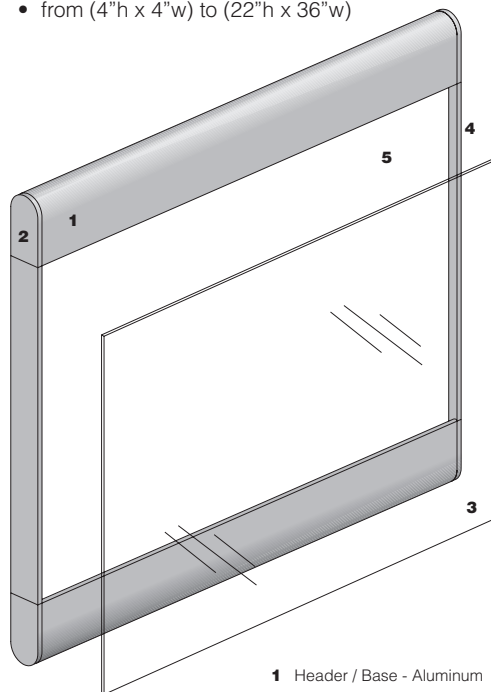


- 1 Header / Base - Aluminum
- 2 End Cap - Injection Molded
- 3 Clear Lens (.040" PETG)

## Standard Assembly

### Over 20 Standard Sizes

- 5/8" (16mm) Depth
- from (4"h x 4"w) to (22"h x 36"w)



- 1 Header / Base - Aluminum
- 2 End Cap - Injection Molded
- 3 Clear Lens - 1/8" (3mm) Non-Glare Acrylic
- 4 Side Rail - Aluminum
- 5 Rigid Backer - PVC

## Lift & Drop

### Insert Removal Process



Using suction cup tool, lift up on protective lens.



Pull bottom of lens out and downward to remove.



Remove paper insert.

## Standard Frame Finishes

For Single Profile:

- Anodized Black
- Anodized Satin Silver

For Standard Assembly Module:

- Anodized Black
- Anodized Satin Silver

## Optional Painted Finishes

Both the Single Profile and Standard Assembly Modules can be painted for desired optional finish. (By Others)

## Optional Vinyl Wrap Finish

The unique design of UniVue's top/bottom edge profile provides an ideal shape and surface area for the application of a vinyl wrap. This allows all signmakers the ability to easily apply color and/or decorative accents without painting.



1. Loosely apply vinyl laminate to header & base.



2. Burnish vinyl down around the header & base.



3. Trim excess vinyl from front & back.



4. Trim excess from ends.



5. Insert end caps on both ends.



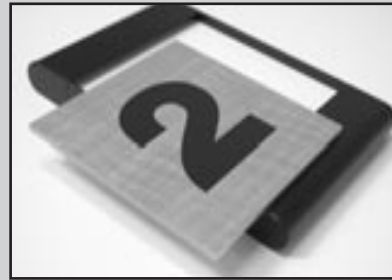
6. Hammer into place using mallet.

## Insert Options

APCO offers the UniVue product with a ClearLens for paper displays and digital output. In addition, UniVue is also compatible with a wide range of other insert materials (Not supplied by APCO).



Standard Paper Insert w/ Clear Lens  
(Paper Insert by Others)



Wood Plaques or Other Custom Substrates.  
(By Others)



ADA Plaques (By Others)



ADA Bands or Custom Laminate Substrates  
(By Others) Can Be Applied to Clear Lens.

## System Overview



### Wall Mount



### Ceiling & Projection Wall Mount



### Desk / Counter Mount



### Panel Clip & Pin Mount



### Stanchion/Freestanding

**APCO**

#### Components Division

Phone: (800) 215-4039

Fax: (800) FAX-APCO

Email: [sales@apcocomponents.com](mailto:sales@apcocomponents.com)

Web: [www.apcocomponents.com](http://www.apcocomponents.com)