



SignPoint Maximizes Design Options with a Strong, Adaptable System Based on a Traditional, Time-Tested Concept.

SignPoint®

Multi-Directional Sign System



1. Circular Posts w/ Radius End Directional Blades & Round Crown Panel



2. Circular Post & Round Crown Panel w/ Radius Directional Blades



2. Circular Posts w/ Graphic Panel, Dome Post Cap & Decorative Rings



3. Custom Configuration w/ Stop Sign



5. Custom Configuration with Round Crown Panel & Mounting Foot Cover Plate

Fingerpoint signs are one of the oldest and most understandable forms of directional signs. In today's complex environments, this simple concept provides one of the best solutions for vehicular and pedestrian traffic.

Other Features & Benefits:

- Easy to install and modify
- Two (2) post shapes: Octagonal & Circular
- Three (3) standard directional blade shapes offered in two (2) standard heights and lengths
- Decorative crown panel shapes, post caps, and rings
- Broad range of colors & finishes
- Can be used in interior applications as well
- Environmentally friendly: recyclable aluminum components

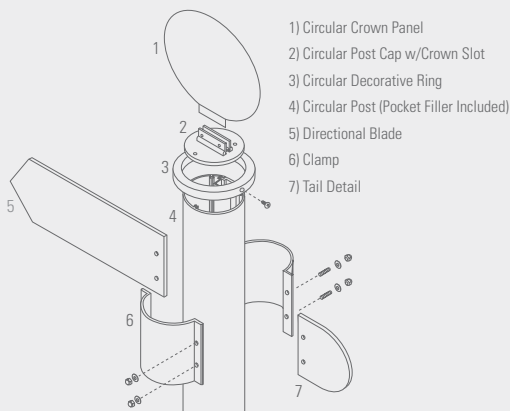
Applications

- Parking Lot Directionals
- Parking Lot Row Identification
- Street Names at Intersections
- Guide pedestrians and vehicles through multi-building campuses

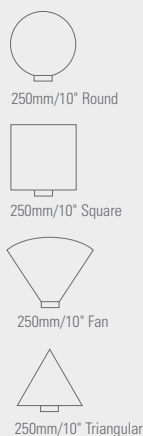
Ideal for:

Universities, Office Parks, Medical Centers, Multi-Winged Facilities, Malls, Shopping Centers

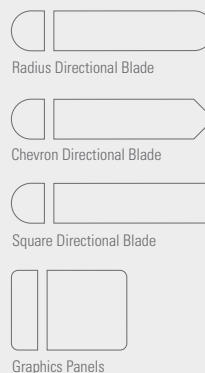
Exploded View



Crown Panels



Blades



Post Shapes



Post Caps / Decorative Rings

